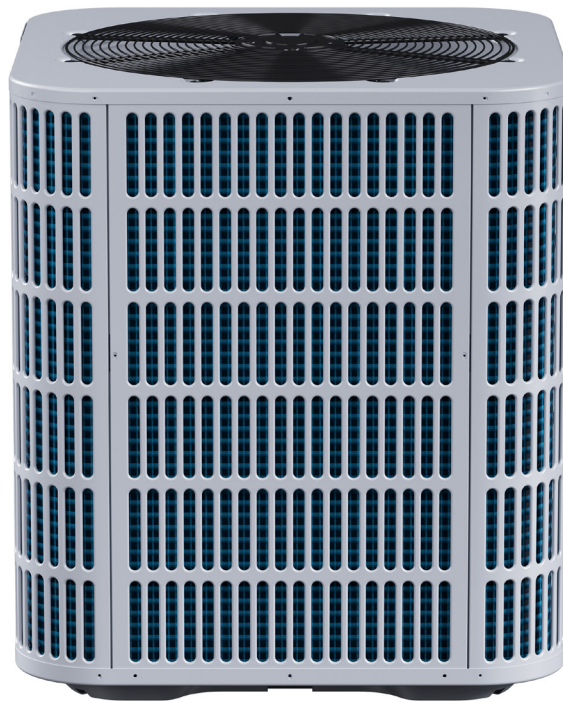
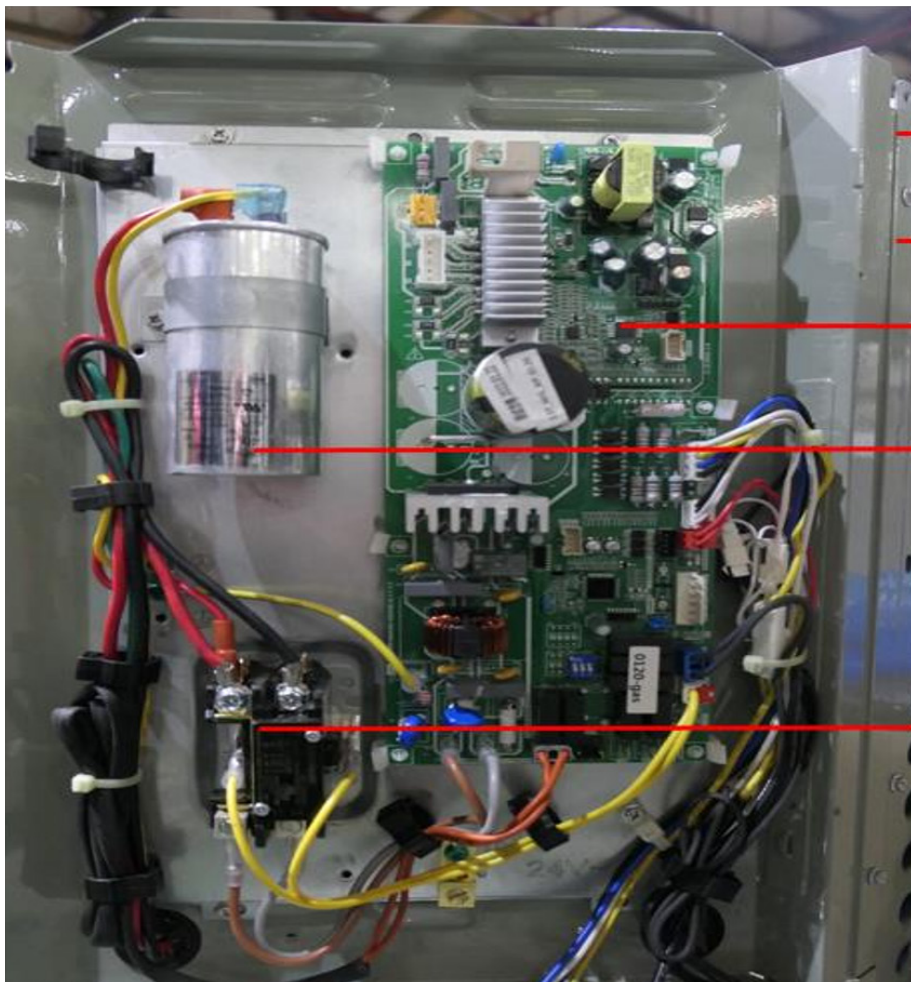
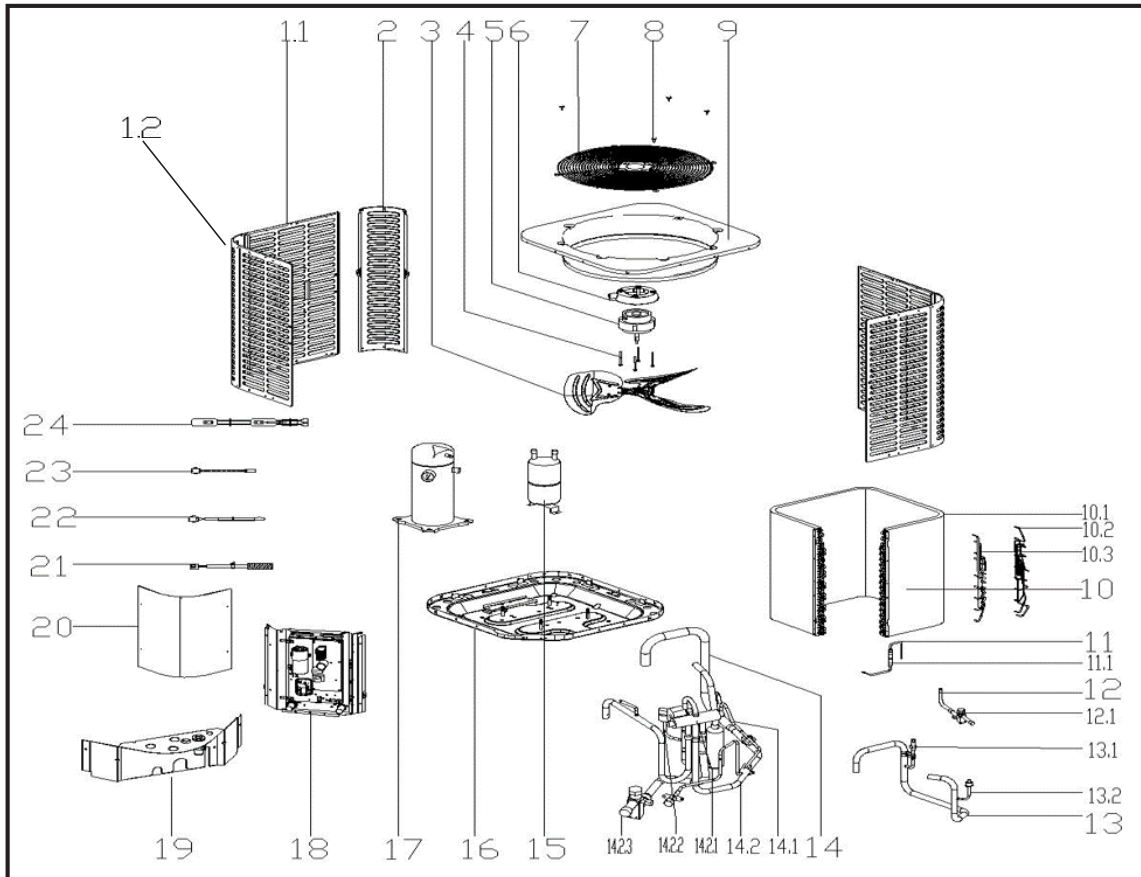




Split System Heat Pump

RSH1518S1A
Parts List





EX_ID	Spare Parts Code	Part Name(EN)	Qty.	Recommend store spare parts
1.1	12223000A02339	Side panel assembly	2	
1.2	12223000A02341	Side panel assembly	2	
2	12223000A02329	Support Plate	3	
3	12200104000008	Axial fan	1	YES
4	11301805000012	Motor Mounting bolt	4	
5	11002015016400	Brushless DC Motor	1	YES
6	12123000000464	Motor installation board ass'y	1	
7	12923000000033	Grille	1	
8	11301002000001	Stainless steel bolts	4	
9	122230000005912	Top cover assembly	1	
10	15823000004421	Condenser ass'y	1	YES
10.1	15823000004422	Condenser A	1	
10.2	15123000000754	Condenser inlet pipe ass'y	1	
10.3	15423000004578	Condenser outlet pipe ass'y	1	
11	15423000004583	Throttle assembly	1	YES
11.1	15500210000356	One way valve	1	YES
12	15423000003178	Stop valve ass'y	1	
12.1	15500206000018	Block valve	1	YES
13	15423000005719	Suction pipe ass'y	1	
13.1	15427000001439	Fusible plug assembly	1	
13.2	17400516000149	Pressure switch	1	YES
14	15423000005718	4-way valve ass'y	1	YES
14.1	15123000010875	Pipe joint ass'y	1	YES
14.2	15423000005720	4-way valve assembly	1	YES
14.2.1	15500216000091	4-way valve ass'y	1	YES
14.2.2	17400516000032	Pressure switch	1	YES
14.2.3	15500206000026	Block valve	1	YES
15	15500508000080	Accumulator cylinder	1	
16	12223000005897	Base assembly	1	
17	11102010000415	Fixed Speed Scroll compressor	1	YES
18	17223000008822	E-part box assembly	1	
18.1	12223000015848	Installation plate of electric parts subassembly	1	
18.2	17123000A03565	Outdoor main control board assembly	1	YES
18.3	17400103000146	Capacitor	1	
18.4	11203502000032	AC contactor	1	YES
19	12223000016089	Side panel assembly	1	
20	12223000A05994	Side panel assembly	1	
21	17400513003814	Discharge Temperature switch	1	YES
22	11201007000073	Room Temperature Sensor	1	YES
23	11201007000136	Pipe Temperature Sensor	1	YES
24	17402001000053	Compressor Electric Heater	1	YES

Due to ongoing product improvements, specifications and dimensions are subject to change and correction without notice or incurring obligations. Determining the application and suitability for use of any product is the responsibility of the installer. Additionally, the installer is responsible for verifying dimensional data on the actual product prior to beginning any installation preparations.

Incentive and rebate programs have precise requirements as to product performance and certification. All products meet applicable regulations in effect on date of manufacture; however, certifications are not necessarily granted for the life of a product. Therefore, it is the responsibility of the applicant to determine whether a specific model qualifies for these incentive/rebate programs.

Comfort-Aire®  **Century**®